

206 FT 0" FAST FOOT

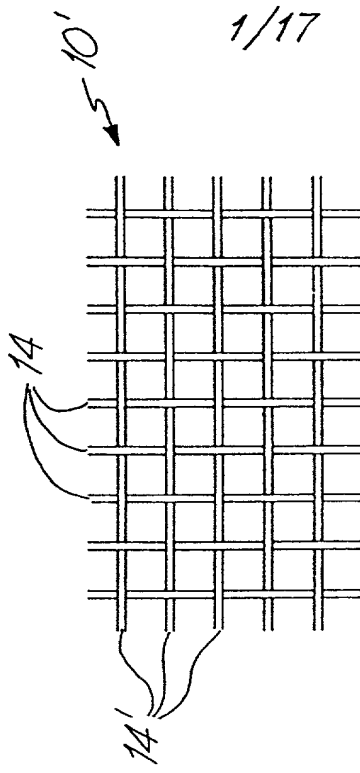


Fig. 1B

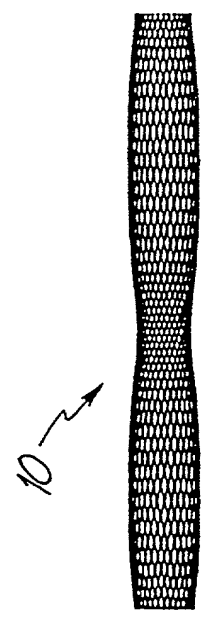


Fig. 1A

2008 F O " F A S T S O O T

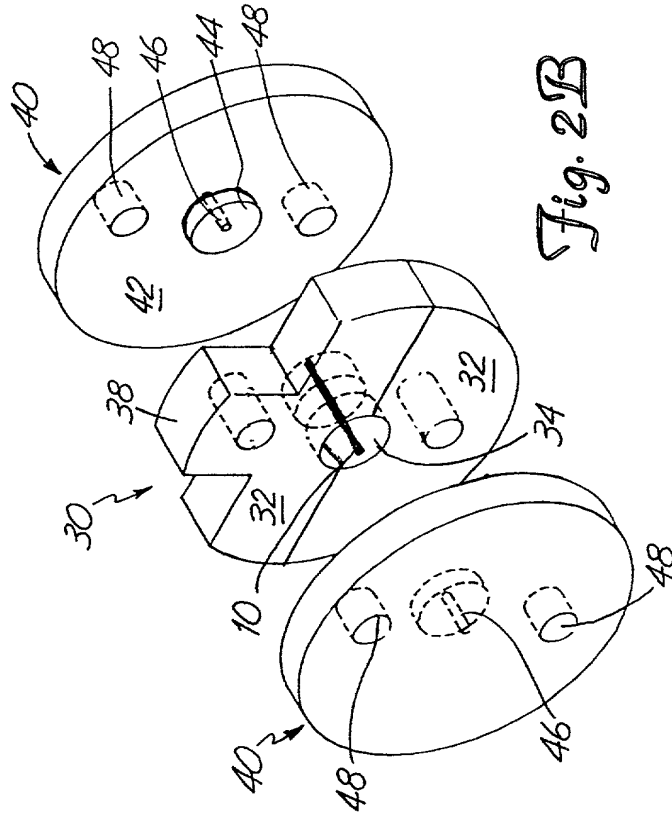


Fig. 2B

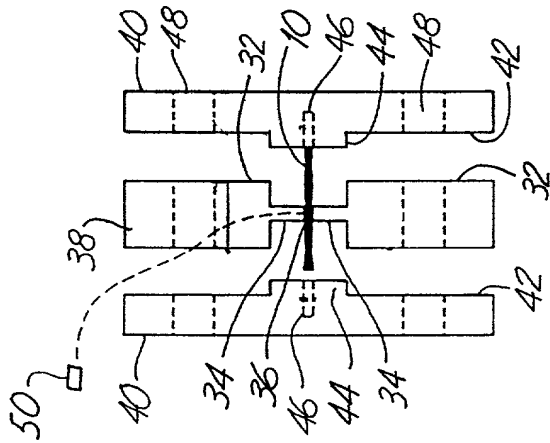


Fig. 2A

3/17

2008F016575001

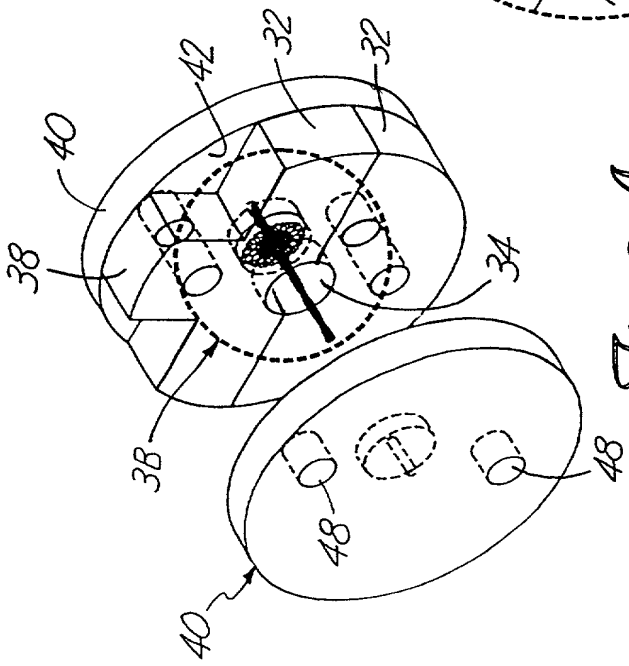


Fig. 3A

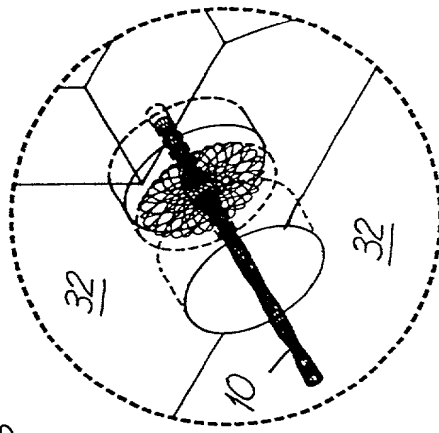


Fig. 3B

4/17

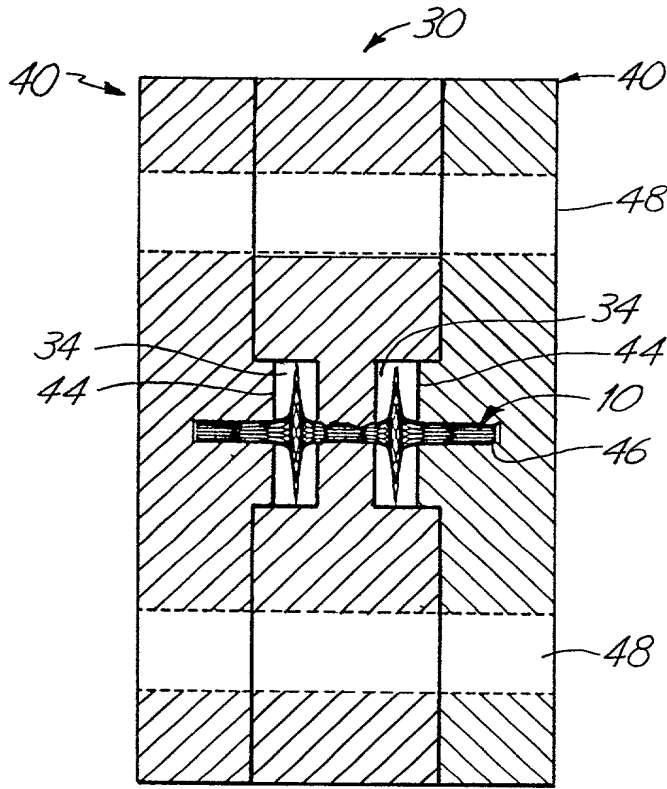


Fig. 4

2025 RELEASE UNDER E.O. 14176

5/17

WOOSTER TESSCOOT

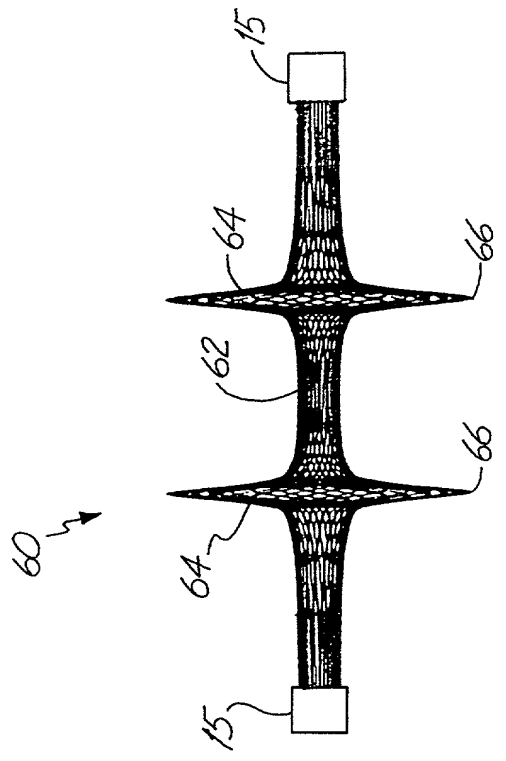


Fig. 5A

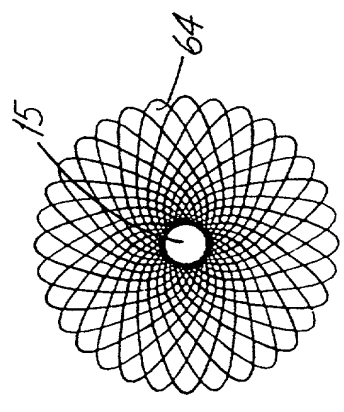


Fig. 5B

6/17

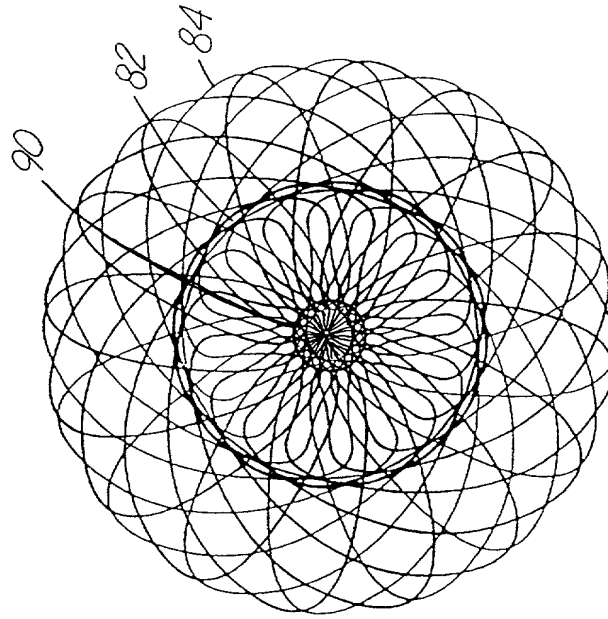


Fig. 6B

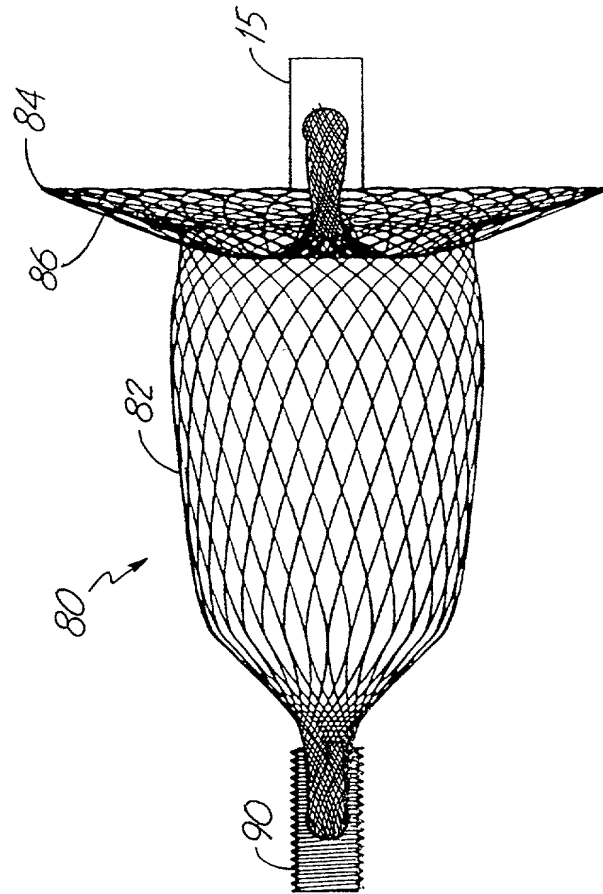


Fig. 6A

2025 RELEASE UNDER E.O. 14176

7/17

200707165001

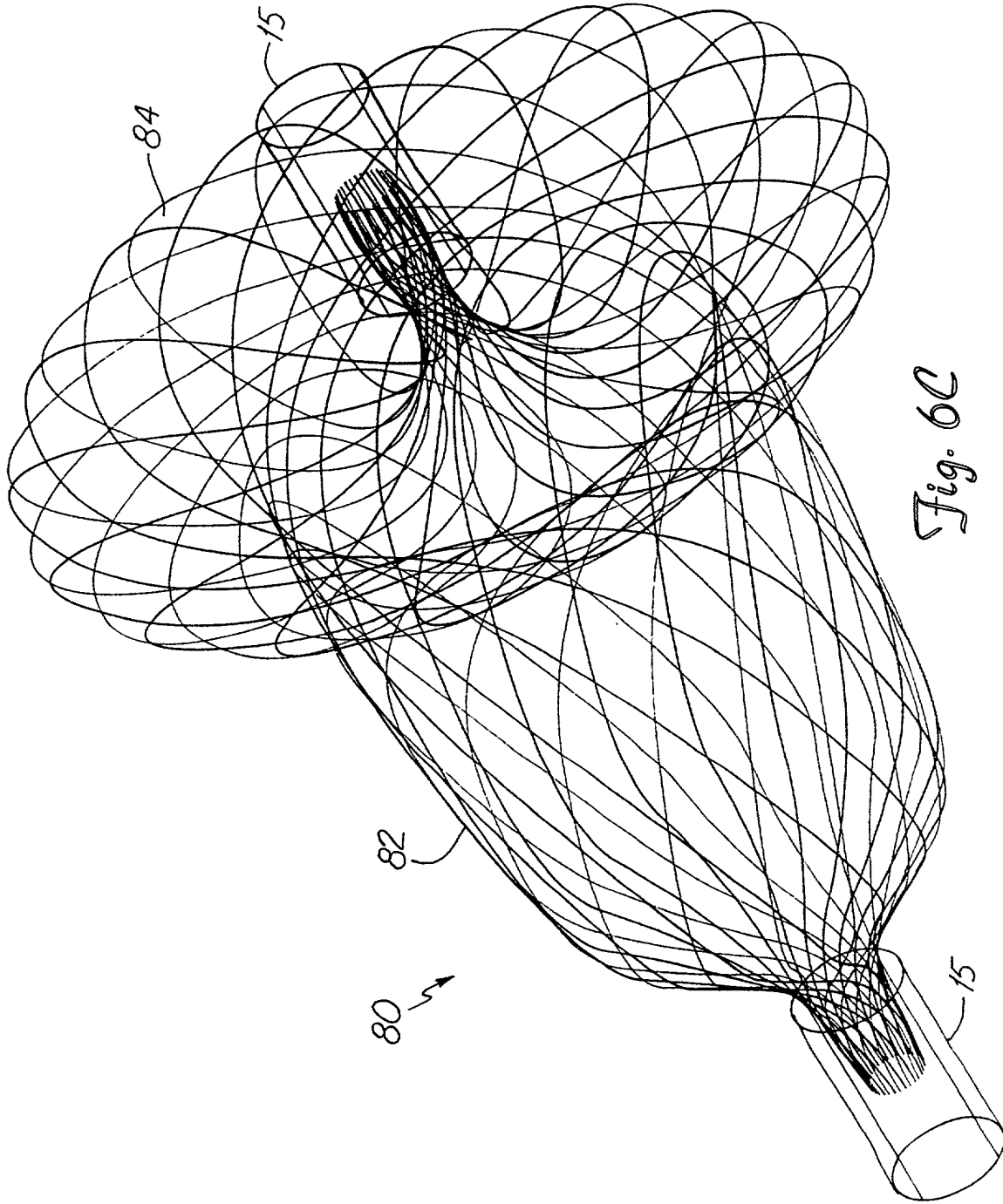


Fig. 6C

8/17

20051010-16515001

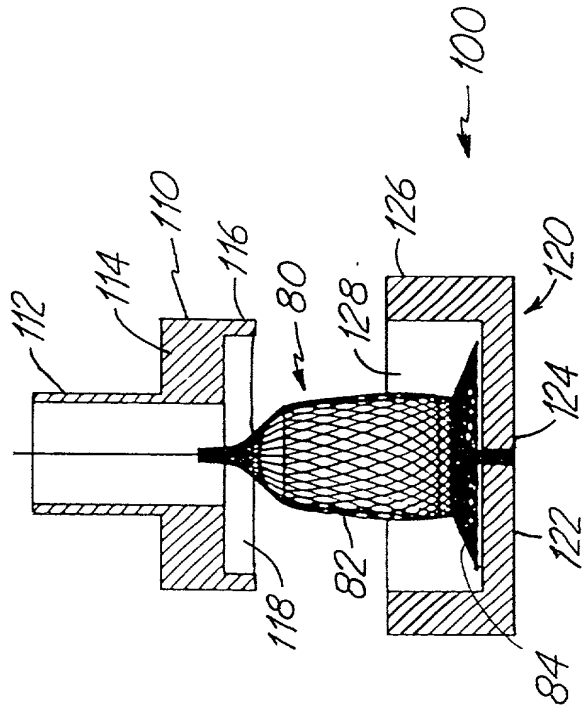


Fig. 7



Fig. 8



COBALT FIBERFOOT

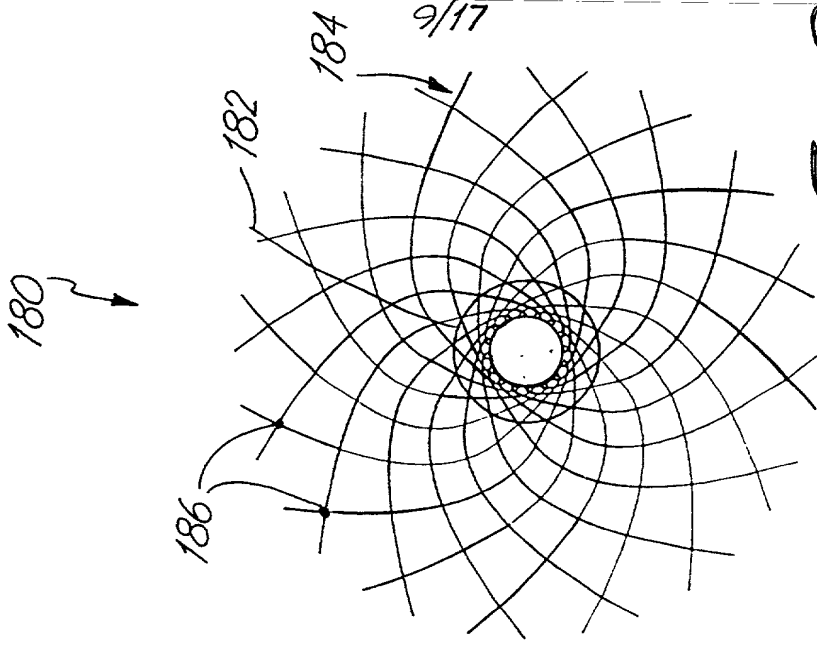


Fig. 9B

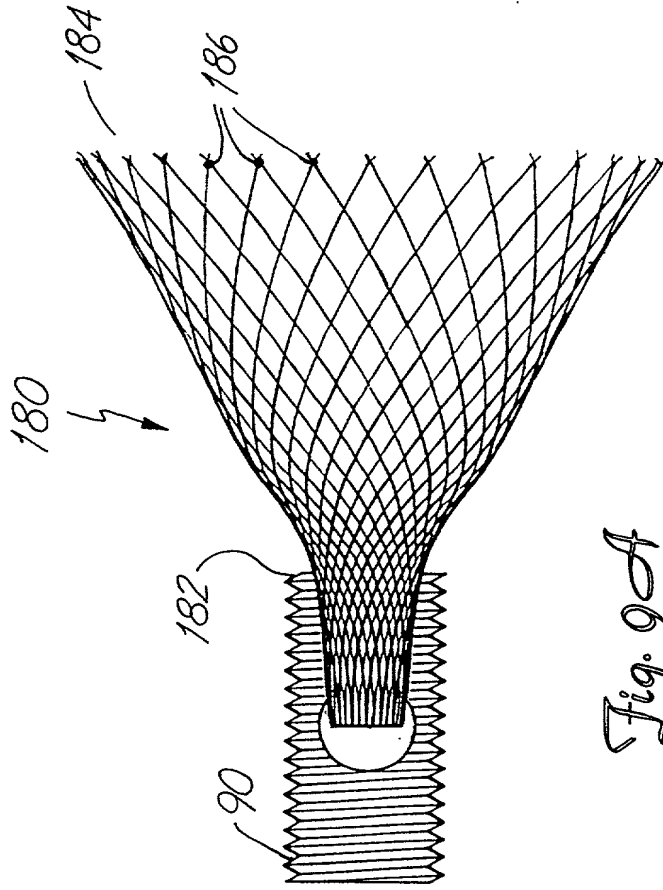


Fig. 9A

10/17

2025101651500F

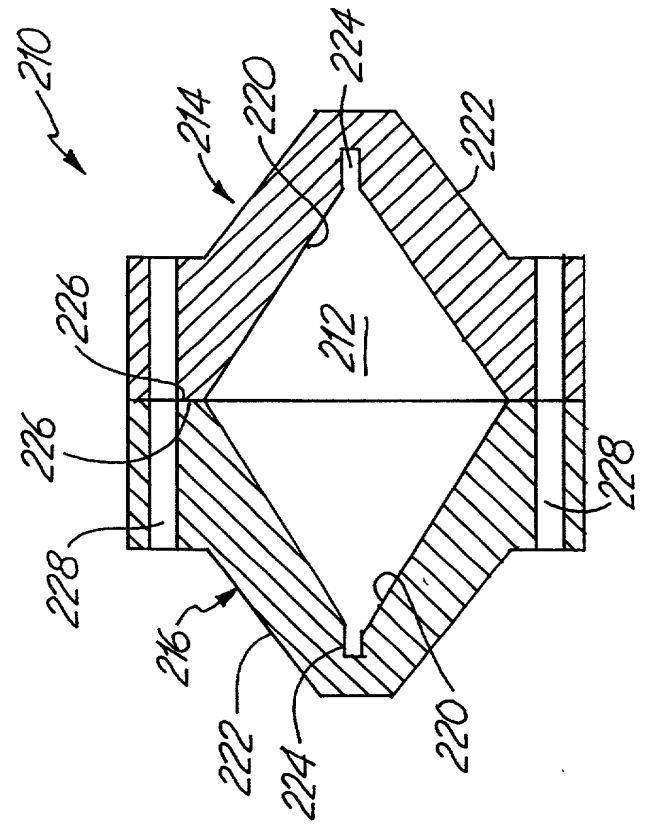


Fig. 10B

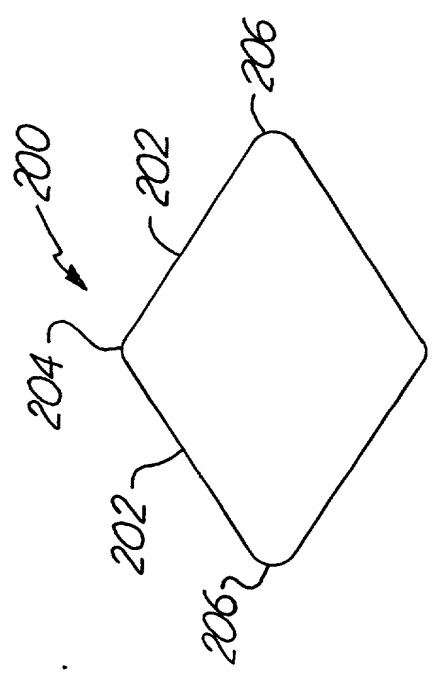


Fig. 10A

11/17

COASTO" T65F500F

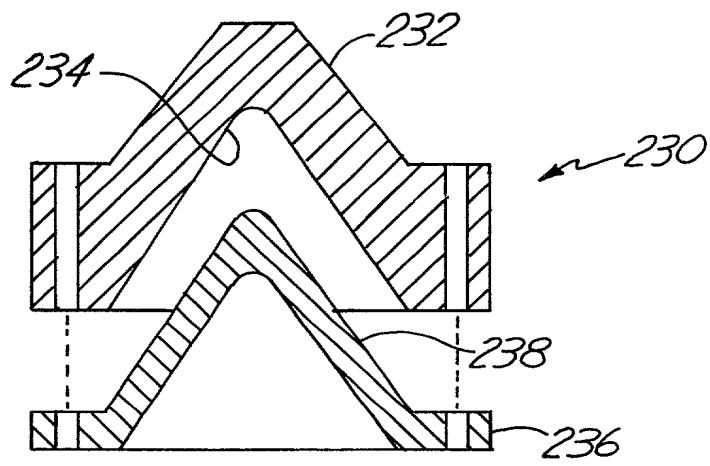


Fig. 10 C

12/17

ABSTRACT F65F500F

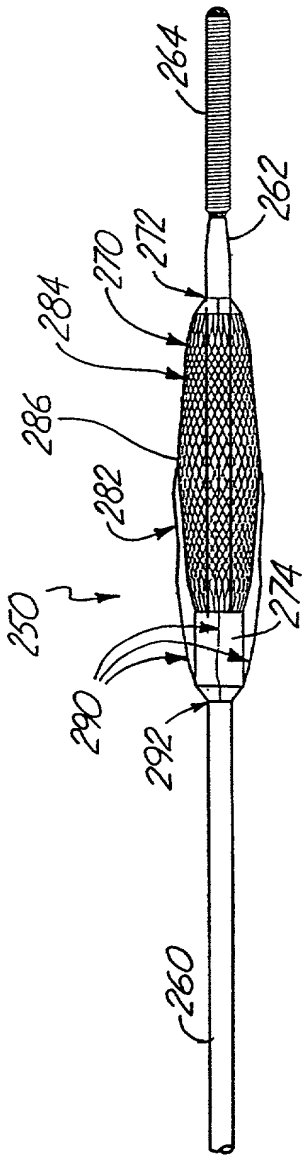


Fig. 11A

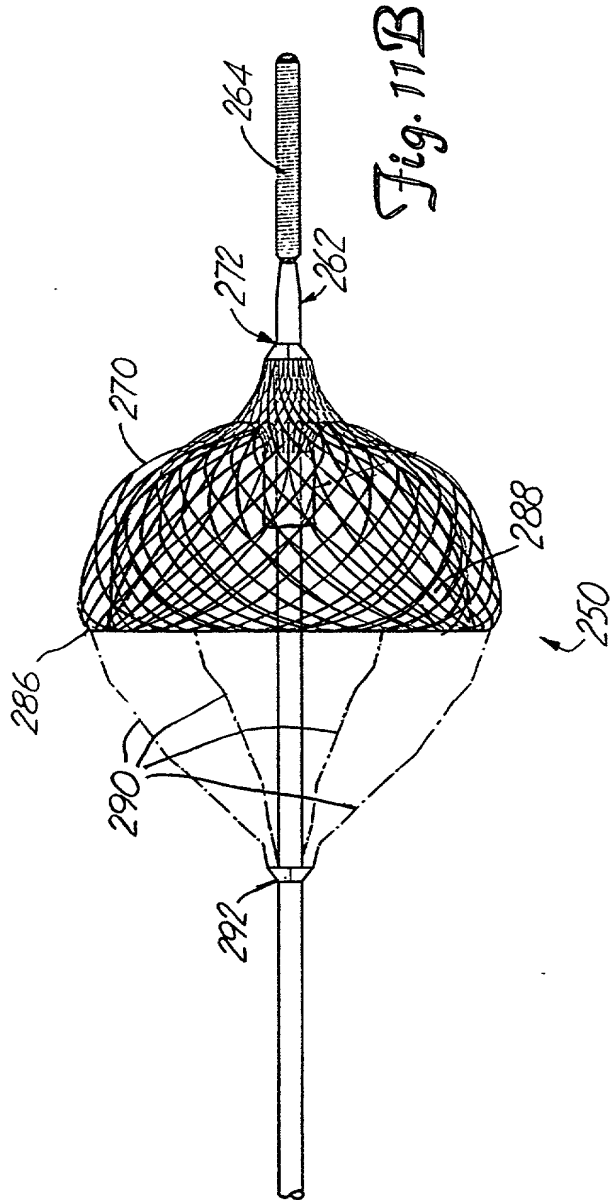


Fig. 11B

COBFO® FOOT

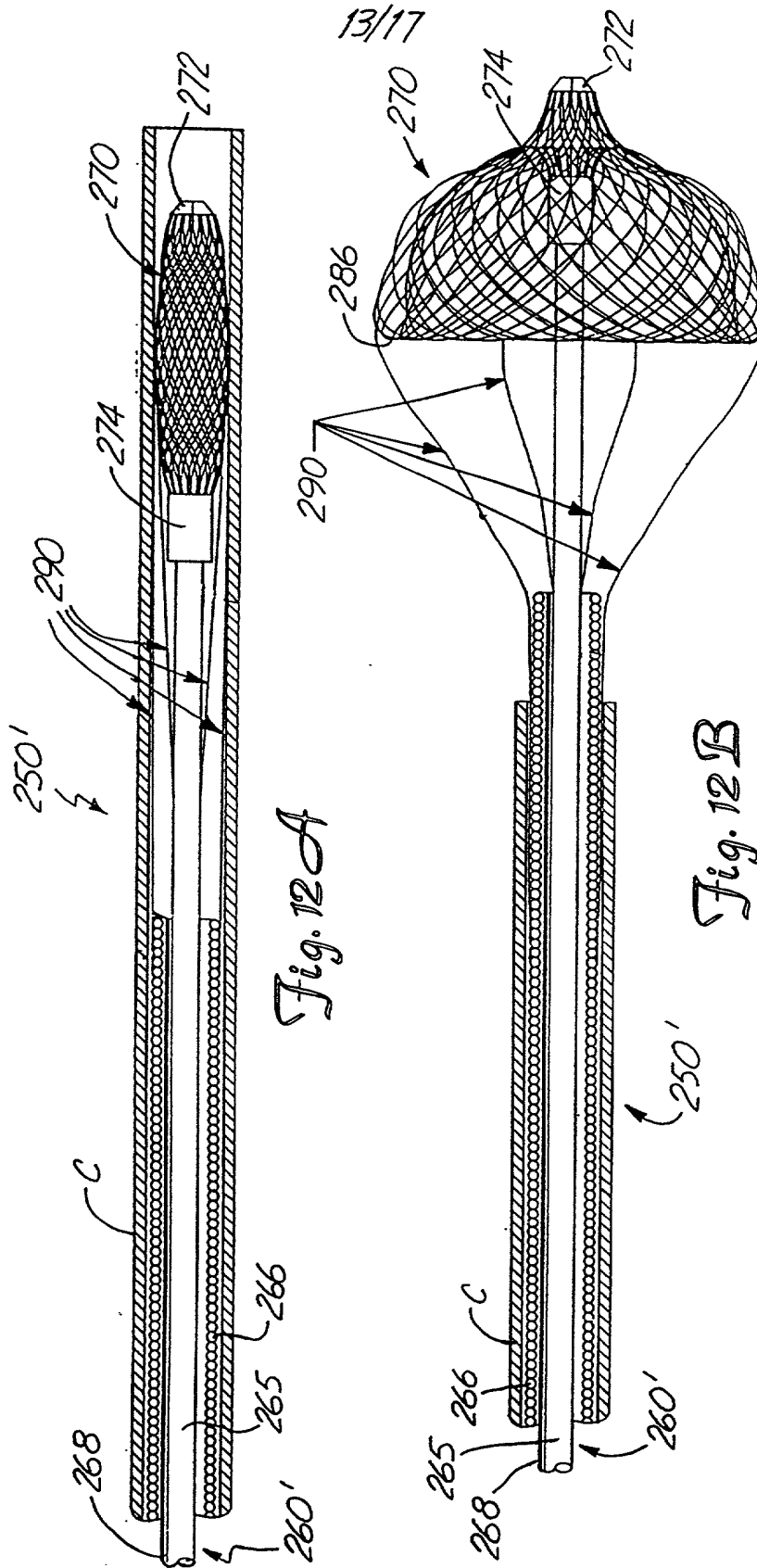


Fig. 12A

Fig. 12B



15/17

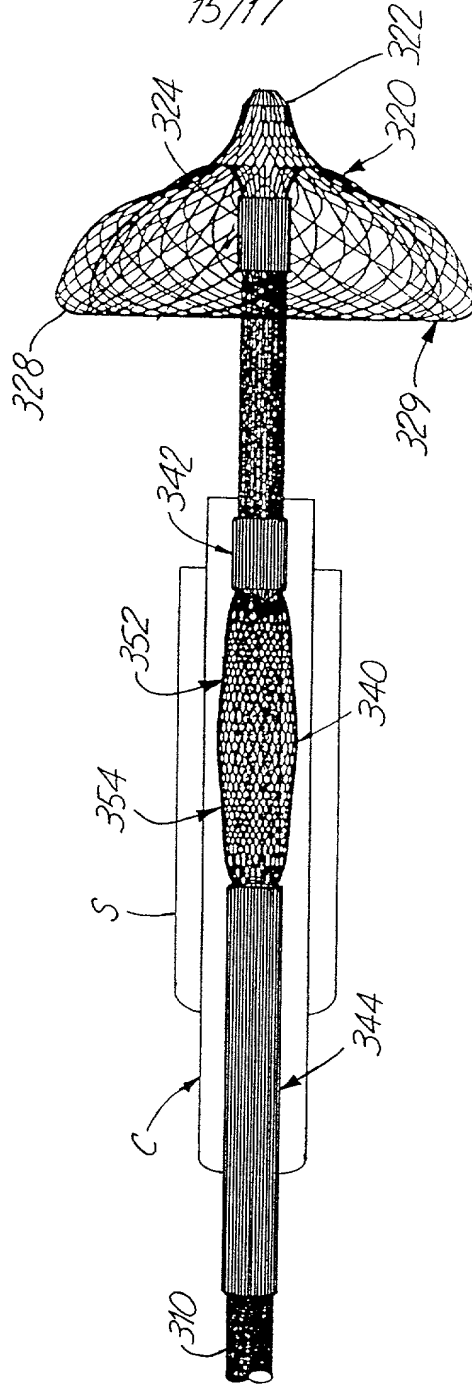


Fig. 14

20250101

16/17

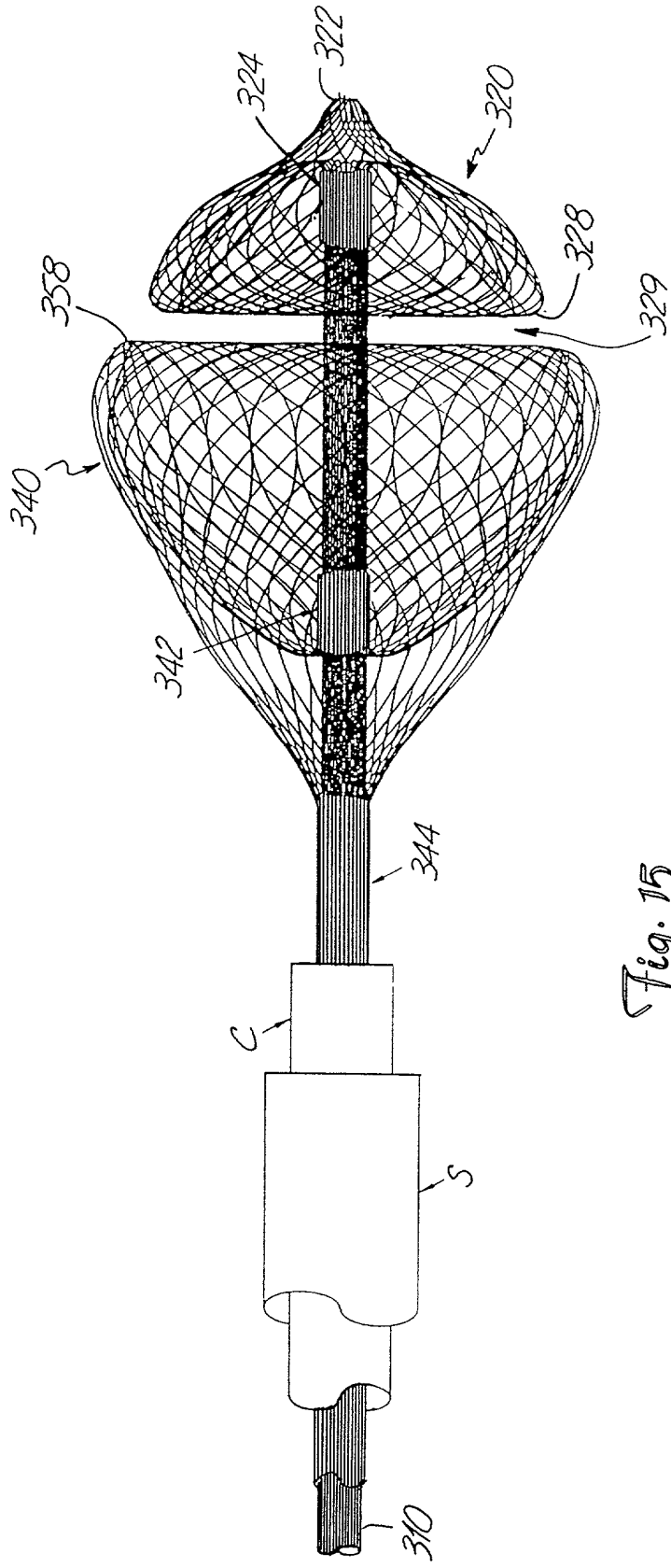


Fig. 15

COSEFO" F65TF500F



17/17

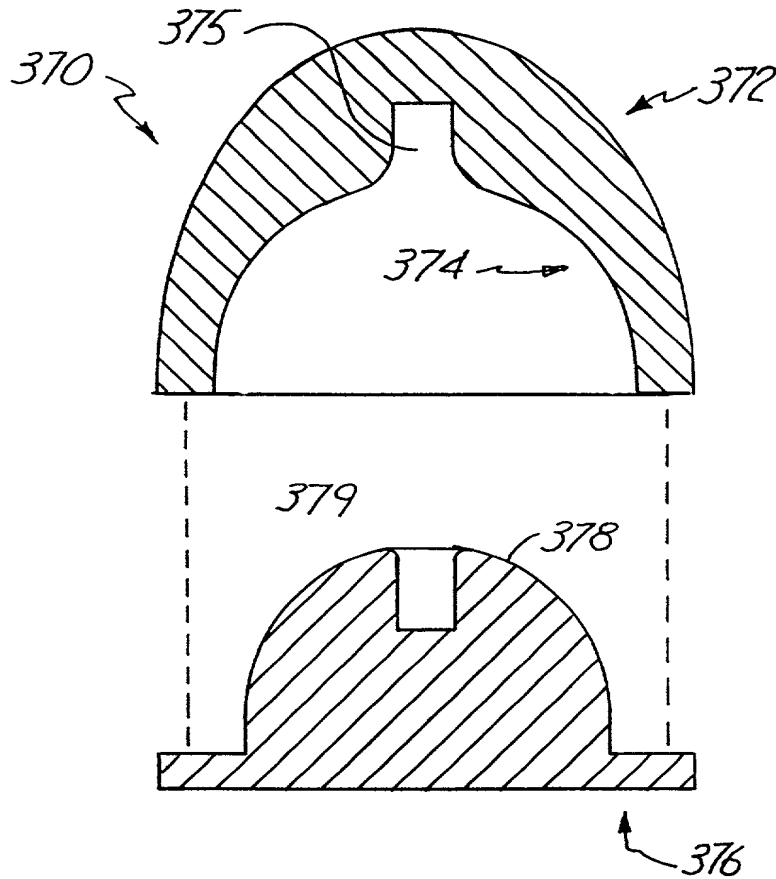


Fig. 16

2025 RELEASE UNDER E.O. 14176